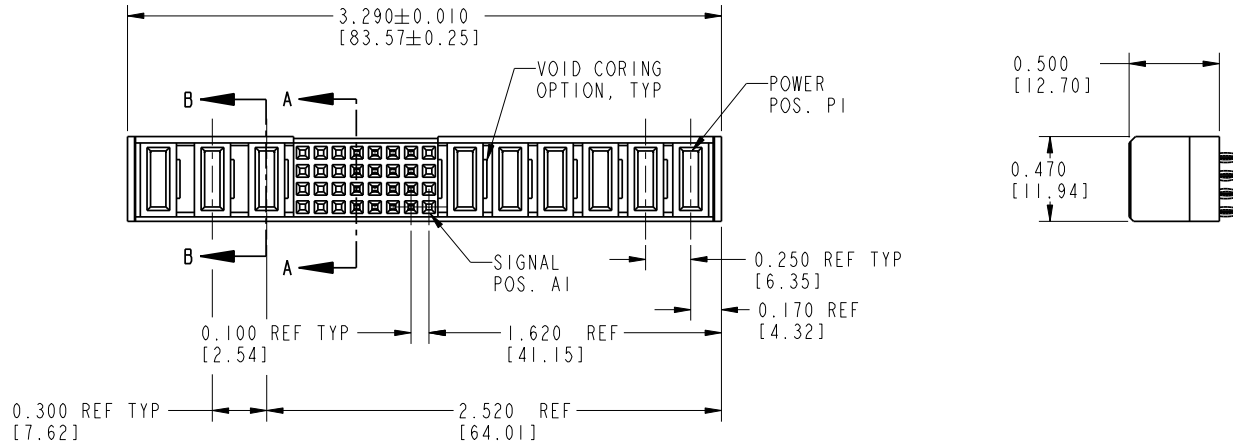


Tous droits strictement réservés. Reproduction ou communication à des tiers interdite sous quelque forme que ce soit sans autorisation écrite du propriétaire. Propriété de c FCI. Droits de reproduction FCI.



All rights strictly reserved. Reproduction or issue to third parties in any form without written authority from the proprietor. Property of FCI. Copyright FCI.

PRODUCT No.	ROWS	POWER			SIGNAL					POWER					E1				
		E2	P9	P8	P7	8	7	6	5	4	3	2	1	P6		P5	P4	P3	P2
51936-001-- NOTE 2	D C B A		PF	PF	PC	X	X	X	F	F	F	F	X	PF	PF	PF	PF	PF	PF



CODE	DIM "M" ±.010[0.25]	CONTACT TYPE
F	N/A [N/A]	SIGNAL
PC	0.042 [1.07]	POWER
PF	0.092 [2.34]	POWER
X	OMITTED	OMITTED

mat'l code SEE NOTE 1				tolerances unless otherwise specified		CUSTOMER		FCI	
lir	ecn no.	dr	date	linear	.XX±.01/0.X±0.3	COPY		www.fciconnect.com	
A	V12127	JRW	7/31/01		.XXX±.005/0.XX±0.13	projection		title 6P + 16S + 3P	
B	V12156	JRW	8/14/01		.XXX±.0020/.XXX±.051	INCH/MM		VERTICAL PRESS-FIT RECEPTACLE	
C	DG07-0068	RYAN	02/16/07	angles	0°±2°	scale 1:1		product family PwrBlade code 213	
				dr	J. WITMER 7/31/01			size dwg no	
				engr	E. TREECE 7/31/01			51936-001	
				chr	E. TREECE 7/31/01			sheet 1 of 2	
				appd	E. TREECE 7/31/01				
sheet index	revision sheet	C	C						
		1	2						

cage code 22526

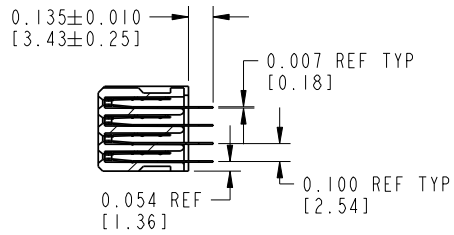
Pro/E

Tous droits strictement réservés. Reproduction ou communication à des tiers interdite sans quelque forme que ce soit sans autorisation écrite du propriétaire. Propriété de c FCI. Droits de reproduction FCI.

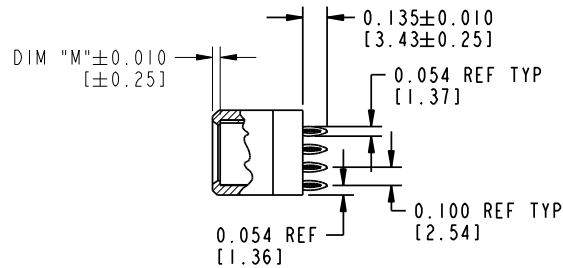


All rights strictly reserved. Reproduction or issue to third parties in any form whatsoever is not permitted without written authority from the proprietor. Property of FCI. Copyright FCI.

PRODUCT NUMBER
51936-001__
NOTE 2



SECTION A-A



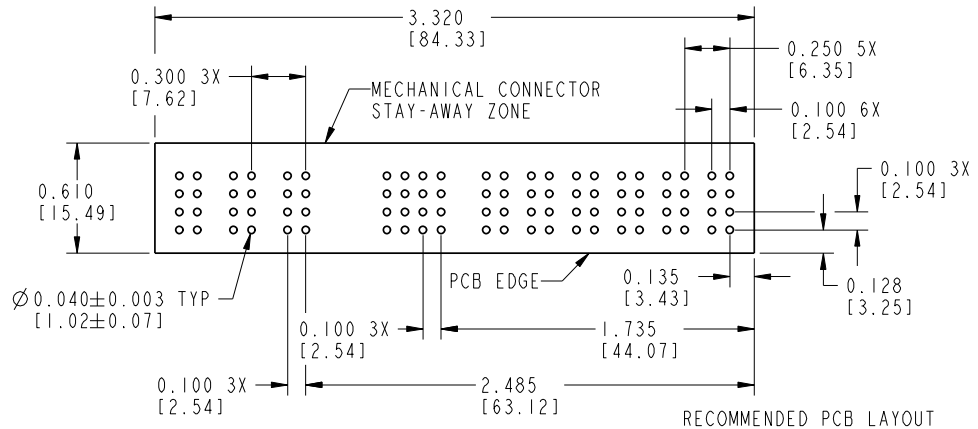
SECTION B-B

CONNECTOR NOTES:

- HOUSING MATERIAL: UL 94 V-0 GLASS FILLED HIGH TEMP THERMOPLASTIC
POWER CONTACT MATERIAL: COPPER ALLOY
SIGNAL CONTACT MATERIAL: COPPER ALLOY
- PLATING:
SEE PRINT 10064183 FOR PLATING SPEC OF 51936-001; 51936-001LF
- "MANUFACTURER" NAME, P/N, AND DATE CODE TO APPEAR ON THIS SURFACE
- PRODUCT SPECIFICATION GS-12-149

PCB NOTES:

- ALL DIMENSIONS ARE BASIC UNLESS OTHERWISE SPECIFIED.
- ALL THROUGH HOLES ARE LOCATED WITH A TRUE POSITION OF 0.004 [0.10]
- ALL HOLE DIAMETERS ARE FINISHED HOLE SIZE
- Ø&d853: SUPP_51570-X05-PCB THROUGH HOLES ARE UNPLATED.
- Ø0.0453±0.0010 [1.151±0.025] DRILLED HOLES PLATED WITH 0.0003 [0.008] MIN SnPb OR Sn OVER 0.001 [0.03] TO 0.003 [0.08] Cu PLATING TO ACHIEVE A Ø0.040±0.003 [1.02±0.07] HOLE.



RECOMMENDED PCB LAYOUT

mat'l code		SEE NOTE 1		tolerances unless otherwise specified		CUSTOMER		FCI	
lfr	ecr no.	dr	date	linear	.XX±.01/0.X±0.3	COPY		www.fciconnect.com	
c				angles	.XXX±.005/0.XX±0.13	projection		title	
				dr	.XXX±.0020/.XXX±.051	INCH/MM		6P + 16S + 3P	
				enrg	0°±2°	scale		VERTICAL PRESS-FIT RECEPTACLE	
				chr	J. WITMER 7/31/01	1:1		product family	
				appd	E. TREECE 7/31/01	A		PwrBlade	
					E. TREECE 7/31/01			code	
sheet index	revision sheet							213	
								sheet	
								2	

1 | 2

Pro/E

3 |

cage code 22526

4